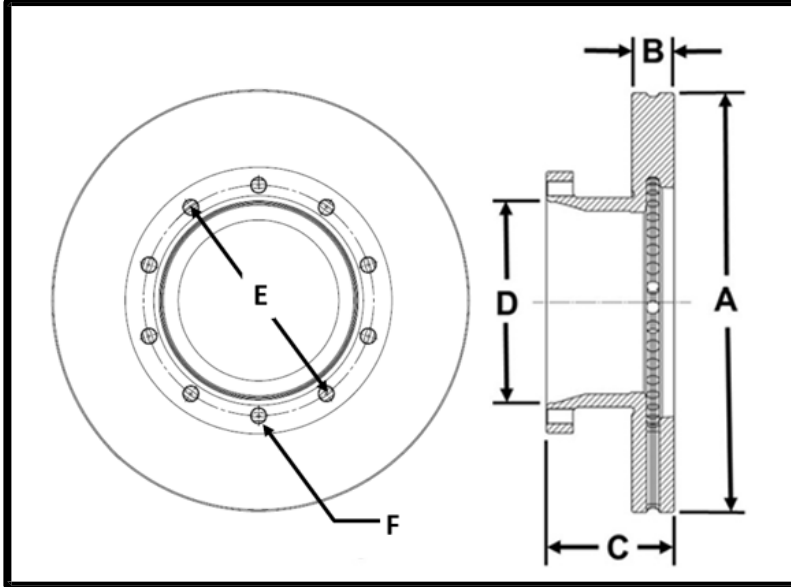




# NEW PRODUCT BULLETIN # 387

**56025**



**PART NUMBER:**  
56025P-99

**DESCRIPTION:**  
Disc Brake Rotor  
w/ Lifeshield Technology

**SIZE:**  
16.93 x 1.77

**ESTIMATED WEIGHT:**  
81 lbs.

Part Number	Weight	Type	A	B	C	D	E	F	
			Disc Diameter	Disc Thickness	Overall Depth	Pilot Diameter	Bolt Circle Diameter	Bolt Holes	
								Number	Size
56025P-99	81	U	16.93	1.77	5.16	7.99	9.25	10	M16 x 1.5

(P) indicates packaged rotor.

(-99) indicates the rotor has been LifeShield treated for corrosion protection and wear resistance.

## INTERCHANGE INFORMATION

Manufacturer	Van Hool
Manufacturer Part Numbers	11353913

INTERCHANGE INFORMATION SHOWN ABOVE IS BASED ON INFORMATION AVAILABLE AT TIME OF PUBLICATION PORTIONS OF WHICH WERE OBTAINED FROM UNCONFIRMED SOURCES. THEREFORE, ACCURACY OF INTERCHANGE INFORMATION CANNOT BE ASSURED.