



NEW PRODUCT BULLETIN # 349

1555

HUB

DESCRIPTION: 6 Stud Hub w/8.75 Dia. Bolt Circle
Uses Rotor - 3/4-16 Serrated Stud

TRUCK STEERING AXLE APPLICATIONS

WEBB AXLE GROUP 14

ArvinMeritor (Rockwell): FC-941, MFS-8
Dana Spicer (Eaton): 1-80
Westport: F4W-0800

Bearing Information (Webb Axle Group # 14)

Outer Bearing Cup 25820 ←
Cone 25877 ←
Inner Bearing Cup JM205110 ←
Cone JM207049 ←

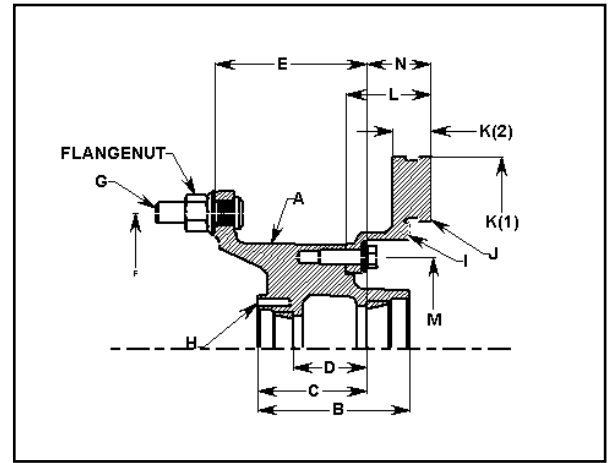
} Cup Code 1

Wt: 35 LBS

Specification Information (Hub, Cups, Studs for Steel Disc Wheels)

Drawing Reference	Item	Dimension
B	Overall Length	6.11
C	Outer Hubcap Face to Inner Brg. Cup Seat	4.40
D	Distance Between Cups	2.96
E	Inner Cup to Mounting Face	5.15
F	Bolt Circle Diameter	8.75
G	Wheel Stud Qty./Thread Diameter	(6) 0.75
H	Hub Cap Hole Pattern (Hub Cap Not Available From Webb Wheel)	4 Holes @ 0.31 3.625 Bolt Circle

Hub Dynamic Capacity: 3,250 lbs.



Assembly Drawing

I. ABS

Part Number: Rotor has ABS Teeth
Pitch Diameter: 8.96
Cup Seat to Face Dimension: 1.45

Rotor Information

Drawing Reference - ROTOR ORDERED SEPARATELY

J			Special Information	K		L	M	N
Part No.	Rotor Order Code	Est Wt.		Rotor Size (1) Dia.	Rotor Size (2) Width	Rotor Overall Depth	Rotor Bolt Circle	Cup to End of Rotor
54770P-65		41	ABS Rotor	15.00	1.435	3.50	6.75	2.42

Wheel Fastener Information

CHECK DISC WHEEL THICKNESS BEFORE ORDERING

Disc Wheel	Tire App.	Rotor Type	Stud (RH)	Stud (LH)	Flange Nut	Stud Stand Out	Order Code For Flange Nuts Less
Steel	Single	Cast	159190	159191	n/a	1.38	M

SPECIAL NOTES

This hub designed for dual wheel mounting or single wheels with 1/2" maximum offset.

This hub will replace Webb hub 1951F.