

# NEW PRODUCT BULLETIN

## SPOKE WHEEL SPECIFICATIONS

Part No. **7015**

DESCRIPTION: 3 Spoke 15 inch

### Bearing Information (Webb Axle Group # 2)

Outer Bearing Cup HM212011 ←  
 Cone HM212049 ← Cup Code 9  
 Inner Bearing Cup HM218210 ←  
 Cone HM218248

### Specification Information

Drawing Reference	Item	Dimension
B	Overall Length	7.06
C	Outer Hub Cap Face to Inner Brg. Cup Seat	4.87
D	Distance Between Cups	3.34
E	Cup to Center Line of Wheel Track	1.36
F	Bolt Circle Diameter (Brake Drum)	5.5 - 10.60
G	Drum Bolt Qty./Diameter	(6) 0.62
H	Hub Cap Hole Pattern	6 holes 0.31 Dia. 5.50 Dia. Bolt Cir.

**I. Rim Clamp (Used With)**      **J. Rim Spacer/Width**  
 3314                                      41540    4.00  
 3319                                      41533    3.38

**Note:** Use Parts Order Codes to Specify

**K. ABS Ring (See Options Available for Order Code)**

**Part Number:** 51554  
**Pitch Diameter:** 6.77  
**Cup Seat for Face Dimension:** 2.34

### Brake Drum Information

#### Drawing Reference

L		Special Information	M	N	O	P	Q
Part No.	Order Code		Brake Size Dia.	Width	Drum Overall De	Drum Pilot Dia.	Cup to End of Drum
62358F	BH	EXTRA HEAVY DUTY	12.25	5.50	7.44	8.50	8.95
63617F	CC		12.25	7.50	8.88		10.57
63647F	EM		12.25	7.50	8.88		10.57

### Component Parts

Rim Stud                      P/N 171027  
 Rim Clamp Nut            P/N 74710

### Service Kits Available (Purchase Separately)

Grease Hub Cap Kit    P/N 73655  
 Drum Bolt Kit            P/N 90315

OPTIONS AVAILABLE		
ORDER CODE	DESCRIPTION	PART NO.
18	Balanced Assembly	--
T	ABS Ring	51554

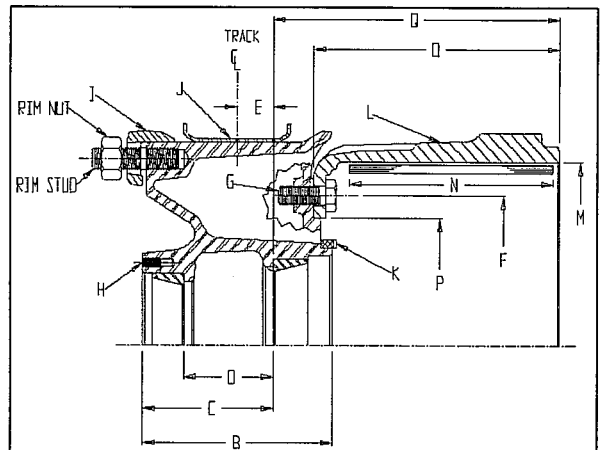
PARTS ORDER CODES	
CODE	DESCRIPTION
A	Assembly With 4.00 Spacer
D	Assembly Less Spacer With Rim Clamps for 3.38 Spacer
E	Assembly With 3.38 Spacer
H	Assembly With Brg. Cups And Studs Only
K	Assembly Less Spacer With Rim Clamps for 4.00 Spacer
M	Assembly Less Spacer And Less Rim Clamps
T	Assembly With 4.00 Spacer Less Rim Clamps

### TRAILER AXLE APPLICATIONS

#### WEBB AXLE GROUP # 2

Dana Spicer.....D-22, K-22  
 Dexter.....D200K, D225K  
 Eaton.....HJ, HJE, J, JE, JH, 23L  
 .....23R, 25R, HR25, 225D, 225J  
 Ingersol.....A22H, A22S, A22T, DC22H, F22  
 Meritor.....RN, RQ, TKN, TN, TQ, TQC, TQD  
 Standard Forge.....A-22H, A-22S, A-22T  
 K-B.....KBW-KBS  
 Westport.....F3W-1600M, F3W-1800, F6W-1600

Wheel Dynamic Capacity: **12,500 lbs**



Assembly Drawing

**WEBB WHEEL PRODUCTS, INC.**  
 2310 Industrial Drive, S.W.  
 Cullman, Alabama 35055  
 256/739-6660  
 FAX: 256/739-6246