

Date 12/20/97

*Another addition to the expanding line of Webb products.*

# NEW PRODUCT BULLETIN

**PART NUMBER: 66842F**  
**SIZE: 16.50 x 8.62**  
**ESTIMATED WEIGHT: 128 Lbs.**

## BRAKE DRUM

AVAILABLE
<b>NOW</b>

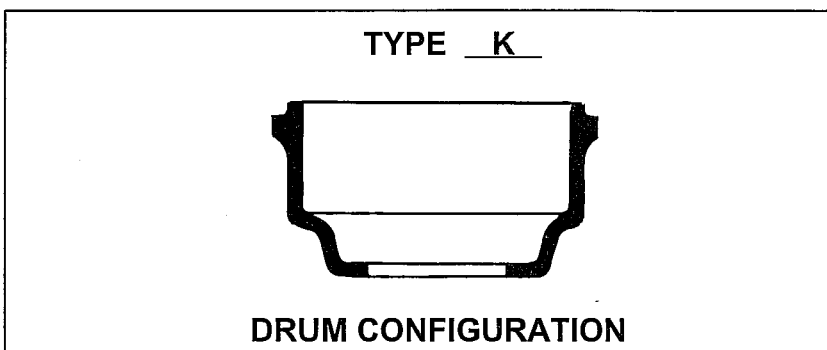
## SERVICE RATING

STANDARD DUTY \_\_\_\_\_  
 HEAVY DUTY \_\_\_\_\_  
 EXTRA HEAVY DUTY  X

APPLICATION INFORMATION
<b>R-SERIES DRIVE AXLE</b> <b>TN-SERIES TRAILER AXLE</b> <b>TP-SERIES TRAILER AXLE</b> <b>SEE REVERSE SIDE FOR SPECIAL INFORMATION.</b>

## DIMENSIONAL INFORMATION

BRAKE SURFACE DIAMETER	OVER ALL DEPTH	BRAKE SURFACE FLAT	PILOT DIAMETER	BOLT CIRCLE	BOLT HOLES	
					NUMBER	SIZE
<b>16.50</b>	<b>11.46</b>	<b>8.97</b>	<b>9.00</b>	<b>10.82</b> (275mm)	<b>8</b>	<b>.97</b>

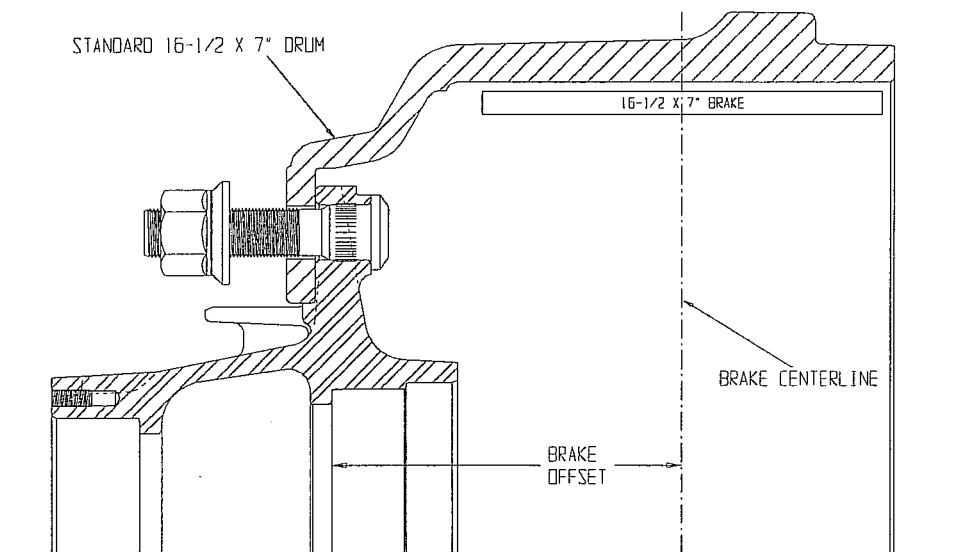
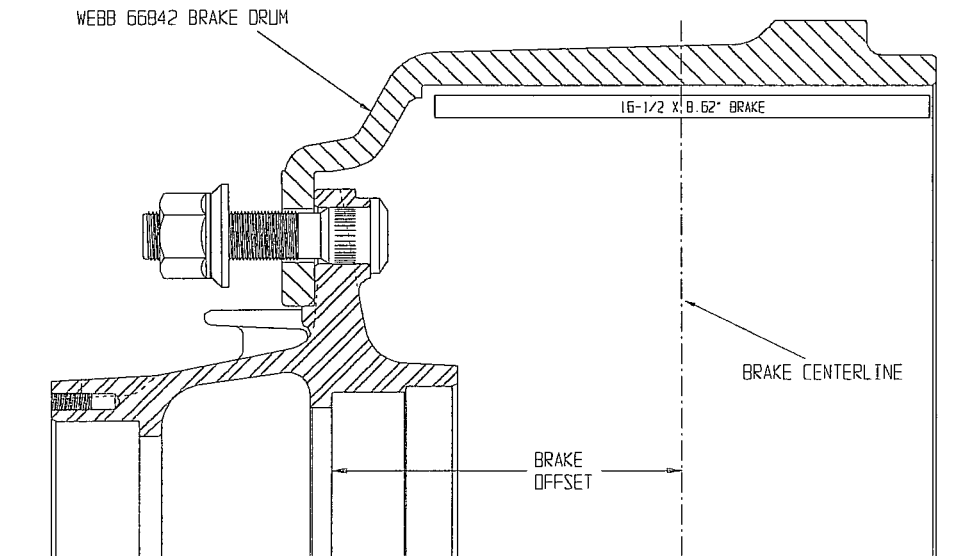


INTERCHANGE INFORMATION	
<u>MANUFACTURER</u>	<u>PART NUMBER</u>
<b>EATON</b>	<b>969148</b>

INTERCHANGE INFORMATION SHOWN ABOVE IS BASED ON INFORMATION AVAILABLE AT TIME OF PUBLICATION, PORTIONS OF WHICH WERE OBTAINED FROM UNCONFIRMED SOURCES. THEREFORE, ACCURACY OF INTERCHANGE INFORMATION CANNOT BE ASSURED.

**WEBB WHEEL PRODUCTS, INC.**  
 2310 Industrial Drive, S.W.  
 Cullman, Alabama 35055  
 205/739-6660  
 FAX: 205/739-6246

# CONVERSION FROM 16-1/2 X 7" BRAKES TO 16-1/2 X 8-5/8" WIDE BRAKES USING WEBB 66842 BRAKE DRUM



The Webb 66842 Brake Drum allows end-users to upgrade existing 16-1/2 x 7" brake shoe applications to 16-1/2 x 8-5/8" wide brake shoes without hub or brake speeder modifications. This applies to standard Webb 2000-series 8-stud hubs on R-series drive axles, TN-series trailer axles and TP-trailer axles.