

No. 166

Date 2/14/86

*Another addition to the expanding line of Webb products.*

# NEW PRODUCT BULLETIN

PART NUMBER: **5680**

**SPOKE WHEEL**

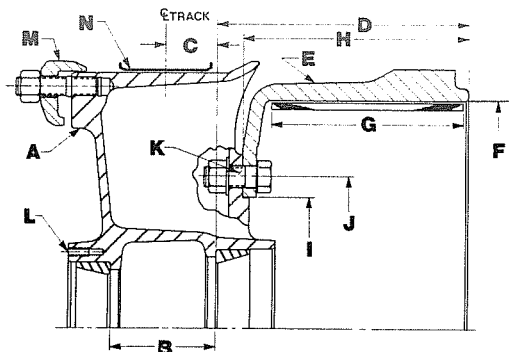
DESCRIPTION: **6 Spoke - 20 Inch**

AVAILABLE
<b>NOW</b>

ESTIMATED WEIGHT: **88 Lbs.**  
(Wheel Only)

APPLICATION INFORMATION
<b>TRAILER AXLE</b>

## PRODUCT INFORMATION



### WEBB AXLE GROUP #4

- Outer Bearing Cup HM518410  
Cone HM518445
- Inner Bearing Cup HM518410  
Cone HM518445

### AXLE MODELS

**FRUEHAUF      PRO-PAR**  
**ROCKWELL      TP**

"A" Wheel Part No.	Desc.	"B" Between Cups	"C" Cup to Track	"D" Cup to End of Drum	"E" Brake Drum		"F" Brake Size		"H" Drum Over All Width	"I" Pilot Dia	"J" Bolt Circle Dia.	"K" Bolt Qty. Dia.	"L" Hub Cap Hole Pattern	"M" Rim Clamp	"N" Rim Spacer Width	Grease Slinger Dirt Guard	Hub Cap Kit Drum Bolt Kit
					Part No.	Order Code	Dia.	Width									
5680	6 Spoke 20"	4.50	2.56	8.19	61597	AN	15.00	7.00	8.12	9.50	11.25	6	6.25 8 Thds.	16123 16124 16129	4.00 3.38 3.62	Not Avail.	Not Avail.
				8.31	68665	HA	16.50	6.00	8.25								
				8.75	M67415	QH <sup>2</sup>	16.50	7.00	8.69								
				8.81	68765	HD	16.50	7.00	8.75								
				8.81	68565	MD	16.50	7.00	8.75								
10.25	68931	HP	16.50	8.62	10.19											90320	

THIS BULLETIN IS DESIGNED SO THAT IT CAN BE INSERTED INTO SECTION 3 OF OUR CURRENT SPOKE WHEEL AND HUB CATALOG TBTW1285 (SEE REVERSE SIDE FOR INTERCHANGE INFORMATION)

### WEBB DIVISION

A division of Marmon Industries, Inc.  
2310 Industrial Drive, S.W.  
Cullman, Alabama 35055  
(205) 739-6660



A member of The Marmon Group of companies

# **INTERCHANGE INFORMATION**

**This Product Is Not Offered  
By Any Other Manufacturer.**

INTERCHANGE INFORMATION SHOWN IS BASED ON INFORMATION AVAILABLE AT TIME OF PUBLICATION, PORTIONS OF WHICH WERE OBTAINED FROM UNCONFIRMED SOURCES. THEREFORE ACCURACY OF INTERCHANGE INFORMATION CANNOT BE ASSURED.