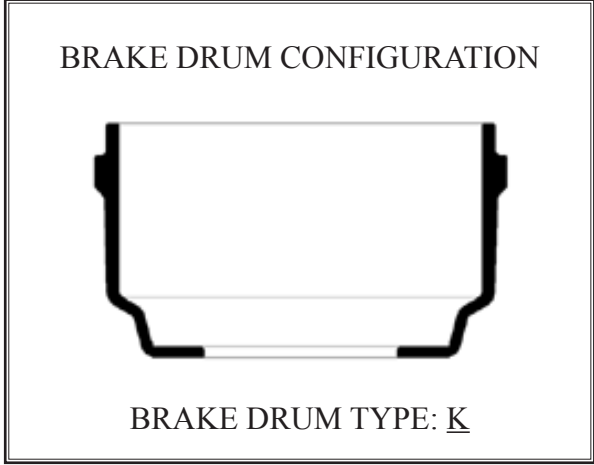




# NEW PRODUCT BULLETIN # 356

**65151B**



**PART NUMBER:** 65151B  
**DESCRIPTION:** Brake Drum  
**SIZE:** 16.50 x 5.00  
**ESTIMATED WEIGHT:** 92 lbs.

**APPLICATION INFORMATION:**  
 TRUCK STEERING AXLE

*Available Now*

### DIMENSIONAL INFORMATION

Part Number	Weight	Type	Mount	Brake Surface Diameter	Overall Depth	Brake Surface Flat	Pilot Diameter	Bolt Circle Diameter	Bolt Holes		Special Information
									No.	Size	
65151B	92	K	O	16.50	9.37	5.45	8.78	11.25	10	1.31	

### INTERCHANGE INFORMATION

Manufacturer	ArvinMeritor	Conmet	Gunite
Manufacturer Part Number	123589	107453	3598X
		10005332	3758X

INTERCHANGE INFORMATION SHOWN ABOVE IS BASED ON INFORMATION AVAILABLE AT TIME OF PUBLICATION PORTIONS OF WHICH WERE OBTAINED FROM UNCONFIRMED SOURCES. THEREFORE ACCURACY OF INTERCHANGE INFORMATION CANNOT BE ASSURED.