

No. 279

Date 1/9/97

Another addition to the expanding line of Webb products.

NEW PRODUCT BULLETIN

PART NUMBER: **66854**
 SIZE: **16.50 X 8.62**
 ESTIMATED WEIGHT: **128 Lbs.**

BRAKE DRUM

AVAILABLE
NOW

SERVICE RATING

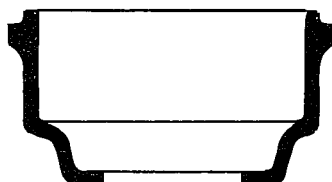
STANDARD DUTY _____
 HEAVY DUTY _____
 EXTRA HEAVY DUTY X

APPLICATION INFORMATION
R-SERIES DRIVE AXLE TN-SERIES TRAILER AXLE TP-SERIES TRAILER AXLE SEE REVERSE SIDE FOR SPECIAL INFORMATION.

DIMENSIONAL INFORMATION

BRAKE SURFACE DIAMETER	OVER ALL DEPTH	BRAKE SURFACE FLAT	PILOT DIAMETER	BOLT CIRCLE	BOLT HOLES	
					NUMBER	SIZE
16.50	11.46	8.97	8.78	11.25	10	.94

TYPE K



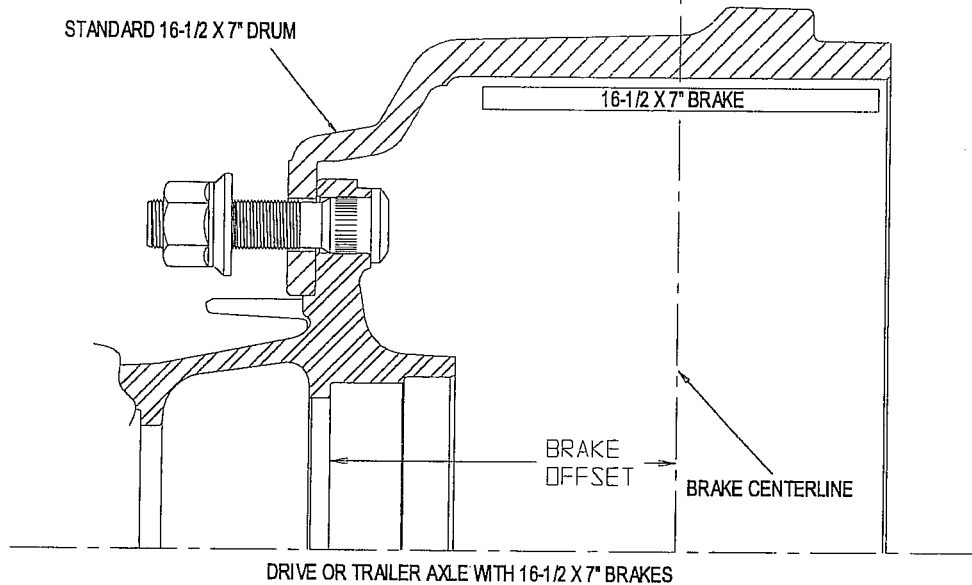
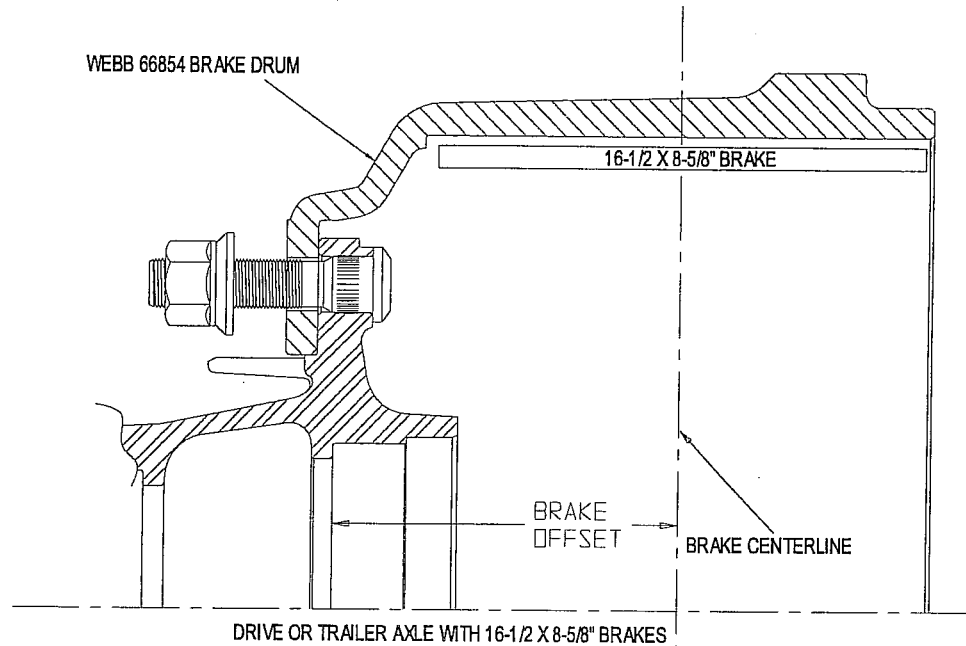
DRUM CONFIGURATION

INTERCHANGE INFORMATION	
<u>MANUFACTURER</u>	<u>PART NUMBER</u>

INTERCHANGE INFORMATION SHOWN ABOVE IS BASED ON INFORMATION AVAILABLE AT TIME OF PUBLICATION, PORTIONS OF WHICH WERE OBTAINED FROM UNCONFIRMED SOURCES. THEREFORE, ACCURACY OF INTERCHANGE INFORMATION CANNOT BE ASSURED.

WEBB WHEEL PRODUCTS, INC.
 2310 Industrial Drive, S.W.
 Cullman, Alabama 35055
 (205) 739-6660
 FAX: 205-739-6246

CONVERSION FROM 16-1/2 X 7" BRAKES
TO 16-1/2 X 8-5/8" WIDE BRAKES USING
WEBB 66854 BRAKE DRUM



The Webb **66854** brake drum allows end-users to upgrade existing 16-1/2 x 7" brake shoe applications to 16-1/2 x 8-5/8" wide brake shoes without hub or brake spider modifications. This applies to standard Webb 2000-series universal hubs (except hub #2672) on R-series drive axles, TN-series trailer axles and TP-series trailer axles.