

Another addition to the expanding line of Webb products.

NEW PRODUCT BULLETIN

PART NUMBER: 2520

HUB

**DESCRIPTION: 10 Stud Hub
(11.25 Bolt Circle)**

AVAILABLE
AUGUST, 1985

ESTIMATED WEIGHT: 50 lbs.

APPLICATION INFORMATION
TRUCK STEERING AXLE

FEATURES:

- Designed for Pilot Mount Wheels
- Utilizes Two Piece Flange Nut System
- Because of Clamping Force Provided by Flange Nut System All Assemblies are Furnished for Right Hand Threaded Flange Nuts.
- Design of Hub Eliminates Need for Inner Cap Nuts, Allowing for Easier Service Due to Fewer Attaching Parts.
- Designed for Outboard Mount Brake Drums.
- Various Drum/Wheel Combinations Are Obtainable with Different Stud Lengths (See Assembly Print on Reverse Side).

WEBB AXLE GROUP #11

OUTER BEARING CUP 3720
 CONE 3782
 INNER BEARING CUP HM212011
 CONE HM212047 or
 HM212049

AXLE MODELS

EATON EFA-12F3, EFA-12F4, EFA-13F4
 ROCKWELL FF-931, FF-932, FF-941

"A" Hub Part No.	Desc.	"B" Between Cups	"C" Cup To Mtg Face	"D" Cup To End of Drum	"E" Brake Drum		"F" Brake Size		"H" Drum Over All Width	"I" Pilot Dia.	"J" Bolt Circle	"K" Bolt Qty Dia	"L" Hub Cap Hole Pattern	Hub Cap Kit	Stud Stand Out
					Part No.	Order Code	Dia.	Width							
2520	10 Stud 11.25 BC OB Drum	3.38	5.94	3.10	65544B	RY	15.00	4.00	9.04	9.00	11.25	10 22 MM	6HLS .310 5:500 B.C.	73655	★

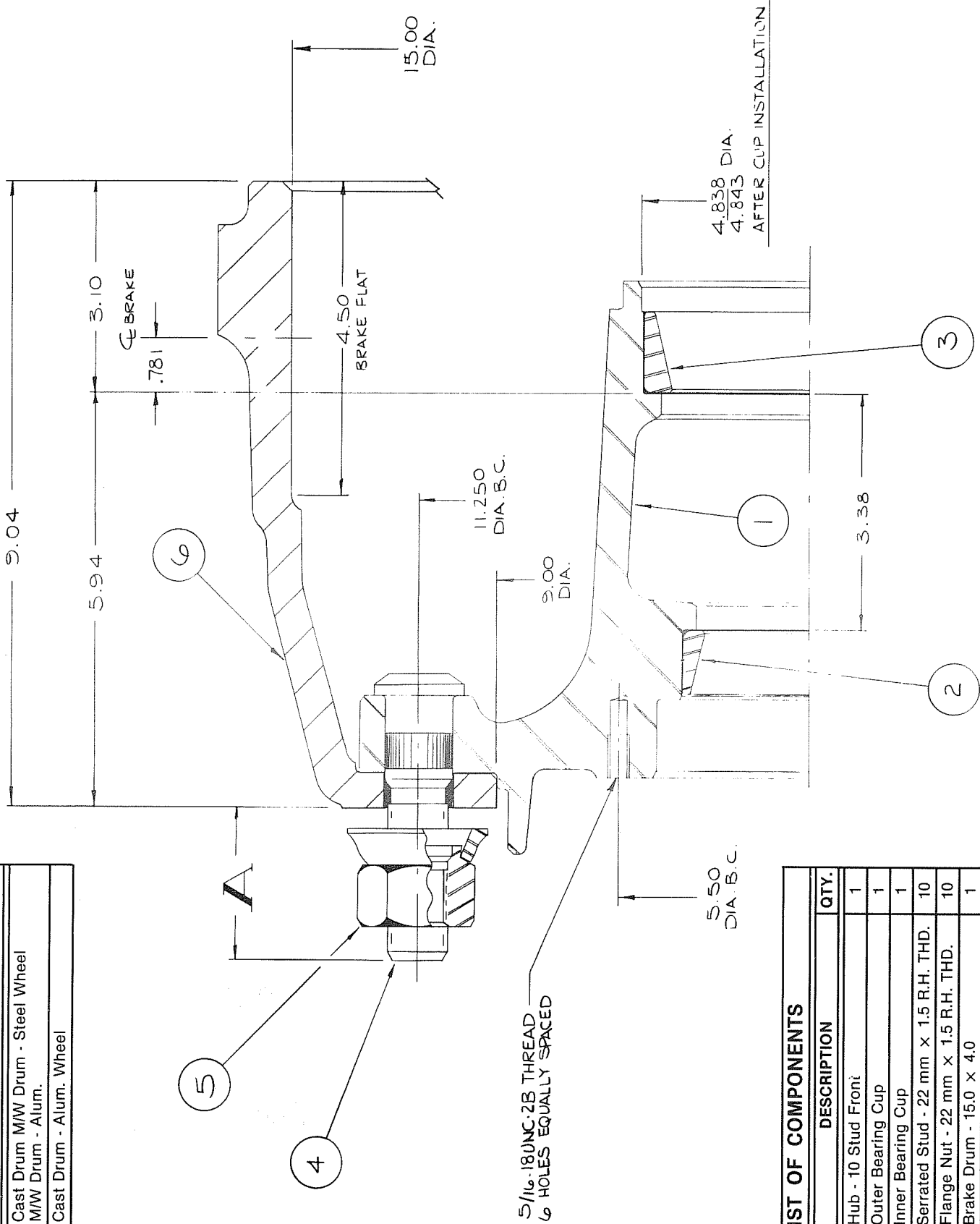
This Bulletin is Designed So That It Can Be Inserted Into Section 3 of Our Current Spoke Wheel and Hub Catalog TBTW384.

NOTE: Due to the Recent Development of This Style Hub There is No Interchange Information Available.

★ See Reverse Side for Sample Assembly Print Showing All Major Components and Stud Application Chart.

STUD APPLICATION CHART

PART NO.	A	DRUM/WHEEL COMBINATION
101164	2.21 2.46	Cast Drum M/W Drum - Steel Wheel M/W Drum - Alum.
101162	2.65	Cast Drum - Alum. Wheel



LIST OF COMPONENTS

ITEM	PART NO.	DESCRIPTION	QTY.
1	2520	Hub - 10 Stud Front	1
2	3720	Outer Bearing Cup	1
3	HM212011	Inner Bearing Cup	1
4	See Chart	Serrated Stud - 22 mm x 1.5 R.H. THD.	10
5	179955	Flange Nut - 22 mm x 1.5 R.H. THD.	10
6	65544B	Brake Drum - 15.0 x 4.0	1