

No. 125

Date 11/30/84

Another addition to the expanding line of Webb products.

NEW PRODUCT BULLETIN

PART NUMBER: **7620**

SPOKE WHEEL

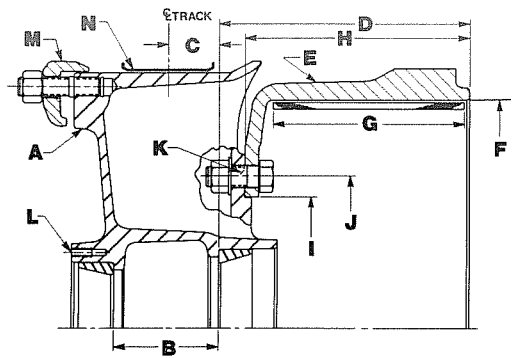
DESCRIPTION: **6 Spoke - 20 Inch**

AVAILABLE
LATE JANUARY, 1985

ESTIMATED WEIGHT: **79 Lbs.**
(Wheel Only)

APPLICATION INFORMATION
TRAILER AXLE

PRODUCT INFORMATION



WEBB AXLE GROUP #2
 Outer Bearing Cup HM212011
 Cone HM212049
 Inner Bearing Cup HM218210
 Cone HM218248

AXLE MODELS
 DANA D-22, K-22
 EATON J, JE, JH, 23L, 23R, HJ, HJE, 25R, HR25
 KB AXLE KBW, KB5
 ROCKWELL RN, TKN, TN, TQ, RQ
 STANDARD FORGE A22-S

"A" Wheel Part No.	Desc.	"B" Between Cups	"C" Cup to Rim Locater	"D" Cup to End of Drum	"E" Brake Drum		"F" Brake Size		"H" Drum Over All Width	"I" Pilot Dia	"J" Bolt Circle Dia.	"K" Bolt Qty. Dia.	"L" Hub Cap Hole Pattern	"M" Rim Clamp	"N" Rim Spacer Width	Grease Slinger	Hub Cap Kit
					Part No.	Order Code	Dia.	Width									
7620	6 Spoke 20"	3.34	1.36	9.64	61517	AD	15.00	7.00	8.12	9.44	11.00	6	6HLS 0.310 5.500 B.C.	16123 16124 16129	4.00 3.38 3.62	73617 73647	73655 90320
				8.21	63423	CE	16.00	5.00	6.69								
				9.27	66684	FM	16.50	6.00	7.75								
				9.90	67397	QA ²	16.50	7.00	8.38								
				9.71	67518	GC	16.50	7.00	8.19								
				9.71	67598	GD ¹	16.50	7.00	8.19								
				11.52	68946	HV	16.50	8.62	10.00								
				12.58	63410	CF ³	16.50	10.00	11.06								

THIS BULLETIN IS DESIGNED SO THAT IT CAN BE INSERTED INTO SECTION 2 OF OUR CURRENT SPOKE WHEEL AND HUB CATALOG TBW384 (SEE REVERSE SIDE FOR INTERCHANGE INFORMATION)

WEBB DIVISION
 A division of Marmon Industries, Inc.
 2310 Industrial Drive, S.W.
 Cullman, Alabama 35055
 (205) 739-6660

INTERCHANGE INFORMATION

**This Product Is Not Offered
By Any Other Manufacturer.**

INTERCHANGE INFORMATION SHOWN IS BASED ON INFORMATION AVAILABLE AT TIME OF PUBLICATION, PORTIONS OF WHICH WERE OBTAINED FROM UNCONFIRMED SOURCES. THEREFORE ACCURACY OF INTERCHANGE INFORMATION CANNOT BE ASSURED.