



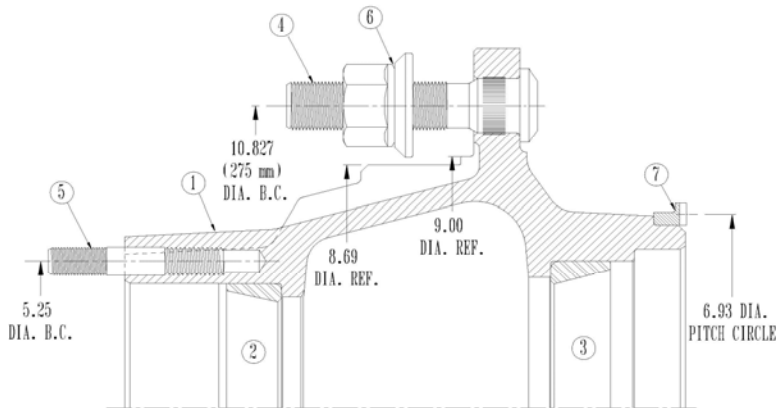
SERVICE BULLETIN #130

12/12/14

2618 Disc Wheel Drive Hub

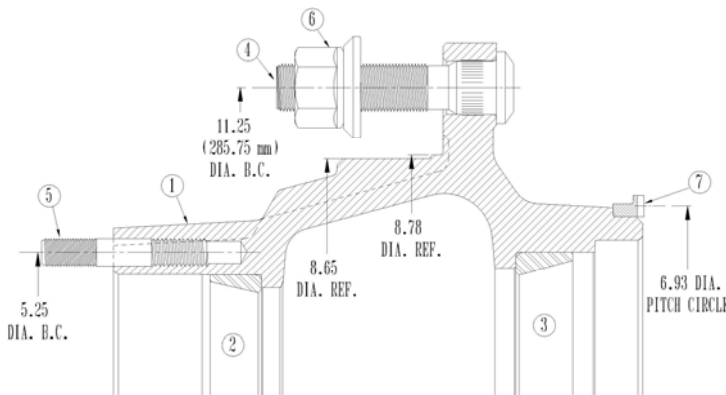
The 2618 series Disc Wheel Drive Hub has been obsoleted. This hub has no direct replacement. We do however recommend an optional replacement: the 10-stud 11.25" B.C. 2614 disc wheel drive hub. This requires changing the hub, changing brake drums, and changing the disc wheels from a 10.827" B.C. to wheels with an 11.250" B.C. If you have any questions, please contact the Webb Engineering department via email to engineering@webbwheel.com or call 256-739-6660.

Obsolete Part



2618 Bill of Material			
Item	Part No.	Description	Qty
1	2618T	10 Stud Disc Wheel Hub	1
2	39520	Outer Bearing Cup	1
3	47620	Inner Bearing Cup	1
4	Varies	M22 Wheel Stud	10
5	152030	5/8 Drive Stud	12
6	179935	Flangenut	10
7	51048	ABS Ring	1

Replacement Option



2614 Bill of Material			
Item	Part No.	Description	Qty
1	2614T	10 Stud 11.25" Outboard Drive Hub	1
2	39520	Outer Bearing Cup	1
3	47620	Inner Bearing Cup	1
4	Varies	M22 Wheel Stud	10
5	152030	5/8-18 Drive Stud	12
6	179935	Flangenut	10
7	51048	ABS Ring	1

REPLACEMENT ASSEMBLIES		
Hub Service Assembly	Wheel Type	ABS
26141--MLT	BSN Steel or Aluminum	ABS
26141--MRT		ABS
26141--0T	No Studs	ABS
26141--3T	FN-Steel	ABS
26141--5T	FN-Aluminum	ABS

Replacement Drum Numbers	Brake Size
61577B	15.00" x 7"
61988B	15.00" x 8.62"
66864B	16.50" x 7"
66884B	16.50" x 7"
66800B	16.50" x 8"
66854B	16.50" x 8.62"