



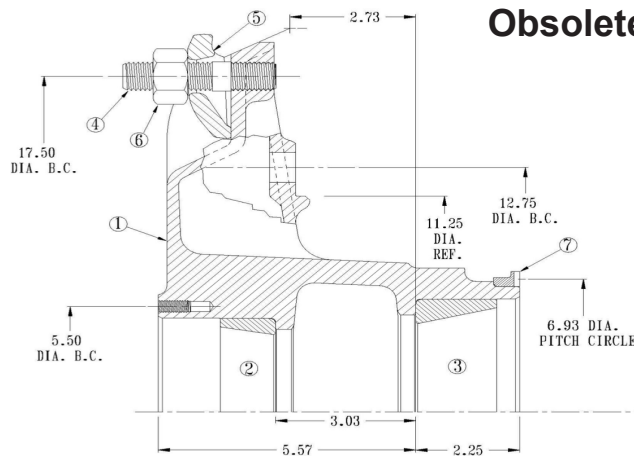
# SERVICE BULLETIN #125

04/14/14

## 9660 Spoke Wheel

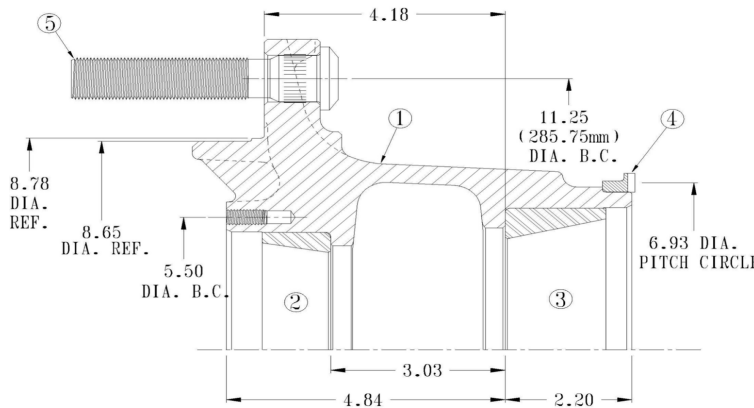
Upon depletion of inventory, the 9660 spoke will become obsolete with no direct replacement. We do however recommend a replacement: the 10-stud 2530 hub. This requires changing brake drums, changing to a disc hub, and changing to disc wheels instead of demountable rims. If you have any questions, please contact the Webb Engineering department via email to [engineering@webbwheel.com](mailto:engineering@webbwheel.com) or call 256-736-6356.

### Obsolete Part



9660 Bill of Material			
Item	Part No.	Description	Qty
1	9660T	6 Spoke 20" ABS Wheel	1
2	552A	Outer Bearing Cup	1
3	6420	Inner Bearing Cup	1
4	171028	Rim Stud	6
5	16177	Rim Clamp	6
6	74710	Hex Nut	6
7	51048	ABS Ring	1

### Replacement Option



2530 Bill of Material			
Item	Part No.	Description	Qty
1	2530T	10 Stud 11.25" Outboard Drive Hub	1
2	552A	Outer Bearing Cup	1
3	6420	Inner Bearing Cup	1
4	51048	ABS Ring	1
5	Varies	Serrated Stud (M22x1.5 or 3/4-16)	10

REPLACEMENT ASSEMBLIES		
Hub Service Assembly	Wheel Type	ABS
25301--PLT	BSN Steel	ABS
25301--PRT		ABS
25301--OT	No Studs	ABS
25301--1T	FN-Steel	ABS
25301--3T	FN-Aluminum	ABS

Replacement Drum Numbers	Size
65654B	16.50" x 5"
65162B	16.50" x 6"