

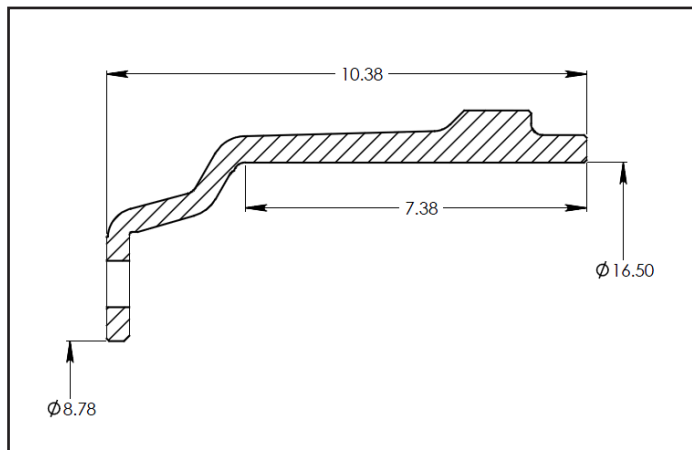


04/11/2011

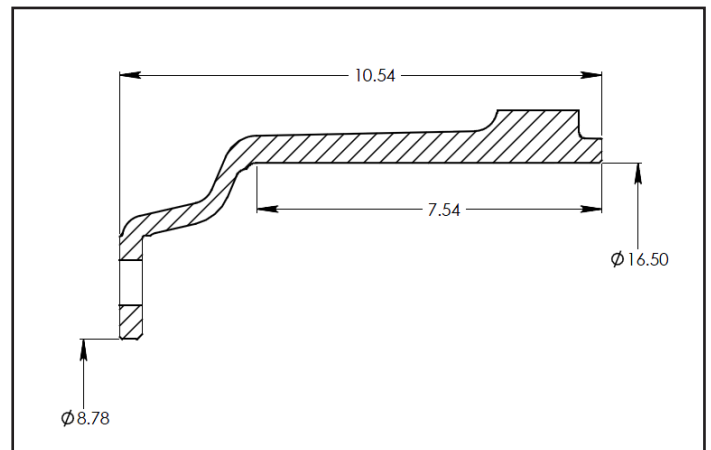
66874 Brake Drum

Effective immediately the 66874 brake drum will become obsolete due to a decline in demand. This drum will be replaced by the 66864 brake drum with the difference being the overall depth. The 66874 has an overall depth of 10.38" while the 66864 has an overall depth of 10.54". Both drums are designed for the same brake application. See the drawing below for more information.

66874 Drum Profile



66864 Drum Profile



If you have additional questions or need application support, please contact Webb's Technical Support Team.