



# NEW PRODUCT BULLETIN # 345

# 2508

# HUB

**DESCRIPTION:** 8 Stud Hub w/10.827 (275MM) Dia. Bolt Circle  
Uses Outboard Drum - (M22 x 1.5) Serrated Stud

## TRUCK DRIVE AXLE APPLICATIONS

WEBB AXLE GROUP 14

**ArvinMeritor (Rockwell):** FC-941, MFS-8  
**Dana Spicer (Eaton):** 1-80  
**Westport:** F4W-0800

### Bearing Information (Webb Axle Group # 14)

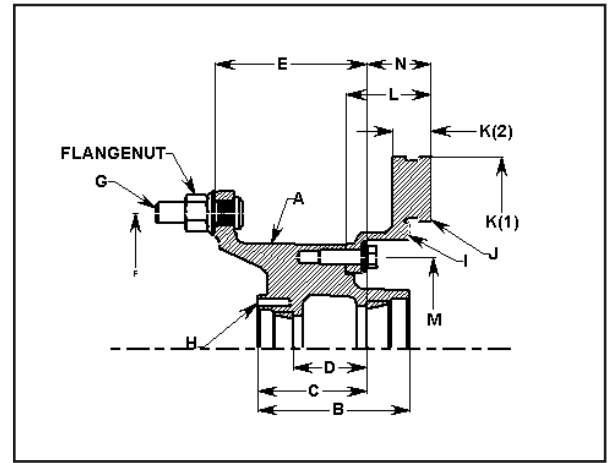
Outer Bearing Cup 25820 ←  
Cone 25877 ← Cup Code 1  
Inner Bearing Cup JM207010 ←  
Cone JM207049A ←

**Wt: 47 LBS**

### Specification Information (Hub, Cups, Studs for Steel Disc Wheels)

Drawing Reference	Item	Dimension
B	Overall Length	6.11
C	Outer Hubcap Face to Inner Brg. Cup Seat	4.36
D	Distance Between Cups	2.92
E	Inner Cup to Mounting Face	6.07
F	Bolt Circle Diameter	10.827 (275MM)
G	Wheel Stud Qty./Thread Diameter	(8) M22 x 1.5
H	Hub Cap Hole Pattern	4 Holes @ 0.31
	(Hub Cap Not Available From Webb Wheel)	3.625 Bolt Circle

**Hub Dynamic Capacity: 4,500 lbs.**



Assembly Drawing

### I. ABS

**Part Number:** Rotor has ABS Teeth  
**Pitch Diameter:** 9.02  
**Cup Seat to Face Dimension:** 2.60

### Brake Drum Information

#### Drawing Reference

J			Special Information	K		L	M	N
Part No.	Rotor Order Code	Est Wt.		Rotor Size (1) Dia.	Rotor Size (2) Width	Rotor Overall Depth	Rotor Bolt Circle	Cup to End of Rotor
54775F-65	XP	43	ABS Rotor	15.38	1.54	3.40	7.25	2.60

### Wheel Fastener Information

#### CHECK DISC WHEEL THICKNESS BEFORE ORDERING

Disc Wheel	Tire App.	Rotor Type	Stud (RH)	Color	Flange Nut	Stud Stand Out	Order Code For Flange Nuts With	
							Less	Less
Steel	Single	HAT	101191	Black	179933	2.11	2	1
Aluminum	Single	HAT	101193	Black	179933	2.40	4	3

### SPECIAL NOTES

This hub designed for dual wheel mounting or single wheels with 1/2" maximum offset.

### Options Available:

25081--1	Service Assembly - Steel Wheels
25081--3	Service Assembly - Aluminum Wheels
25081XP1	Hub & Rotor Assembly - Steel Wheels Less Nuts
25081XP3	Hub & Rotor Assembly - Aluminum Wheels Less Nuts