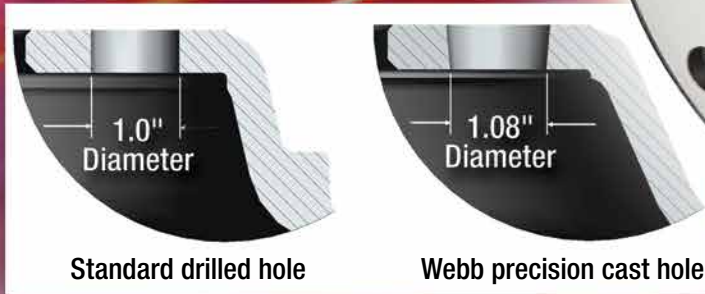


The Webb 56800B brake drum features precision engineered cast holes

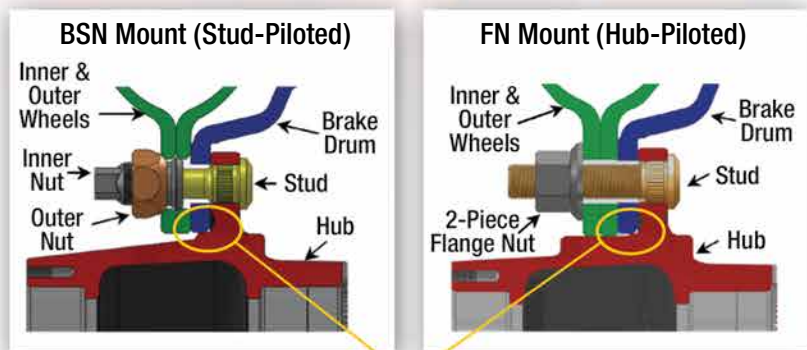
10 cast holes
 11.25" B.C.
 8.78" pilot
 16.5 x 8" brakes
 Weight 114 lbs
 Rating: 23k GAWR



Webb 56800B



- Webb 56800B drums feature precision engineered cast holes that give you the same **FIT, FORM AND FUNCTION** as standard drilled holes
- Works great for both hub pilot AND stud pilot applications
- The 56800B drum is centered on the hub using the 8.78" machined pilot
- When properly torqued (see reverse side) the drum **WILL NOT ROTATE RADIALY**—even while braking & accelerating!
- The Webb 56800B is a great choice for many standard duty, OTR drive and trailer applications
- Backed by a nationwide warranty and the best product support in the business



Brake drums pilot on the hub in BOTH Stud Piloted and Hub Piloted applications!



www.webbwheel.com

Contact your local Webb Wheel Products supplier for training that can cut your operating costs!

Scan this QR code to get certified on brake drum selection and wheel-end installation, and we'll send a token of our appreciation.



A Marmon Highway Technologies®/Berkshire Hathaway Company

©2016 Webb Wheel Products Inc.
 Aug 2016 • SD-125B-R1

Webb Torque Specification Guidelines

The purpose of this publication is to assist users with safe installation and maintenance practices while maintaining optimum performance of their wheel-end equipment. If additional information is required, please refer to TMC Recommended Practices: 217D, 222C, 237A, 656, and 662.

Hub Piloted with Flange Nut (8 & 10 Stud Hubs)

Applied to M22 x 1.5 studs with two-piece flange nuts • Recommended torque oiled: 450 to 500 ft-lbs

Step 1. Place a drum pilot pad at the 12:00 o'clock position. Apply two drops of 30 weight oil between the nut and the nut flange, and two drops to the outermost 2 or 3 threads of the wheel stud. For corrosive environments, apply a light coating of anti-seize to the mounting pads of the hub as well as the pilot diameter of the brake drum to ease installation and removal.

Note: Avoid getting any lubricant on the mating surfaces of the hub flange, drum flange, or disc wheel mounting flange areas.

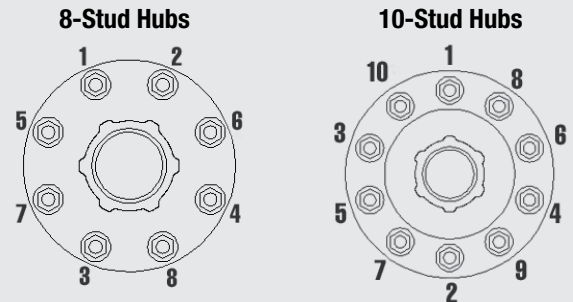
Step 2. Starting with the top nut, tighten all flange nuts to 50 ft-lbs using the sequence shown at right.

Step 3. Tighten all flange nuts to the recommended torque of 450-500 ft-lbs using the sequence shown at right.

Step 4. Check all disc wheels for proper positioning on pilots and proper seating against flange.

Recheck torque after first 50 to 100 miles of service or reference TMC RP 237A, "Torque Checking Guidelines For Disc Wheels" for individual fleet maintenance alternatives.

Tightening Sequence



Stud Piloted with Double Cap Nuts (6 & 10 Stud Hubs)

Applied to 3/4 - 16 and 1 1/8 - 16 fastener sizes • Recommended torque dry: 450 to 500 ft-lbs

Inner Cap Nuts

Step 1. Place a drum pilot pad at the 12:00 o'clock position. For corrosive environments, apply a light coating of anti-seize to the mounting pads of the hub as well as the pilot of the brake drum to ease installation and removal. **Note:** Avoid getting any lubricant on the mating surfaces of the hub flange, drum flange, or disc wheel mounting flange areas. Starting with the top nut, tighten all inner cap nuts to 50 ft-lbs using the sequence shown at the right.

Step 2. Tighten all inner cap nuts to the recommended torque of 450 to 500 ft-lbs, dry, using the sequence shown at right.

Outer Cap Nuts

Step 1. Place a drum pilot at the 12:00 o'clock position. Then, starting with the top nut, tighten all outer cap nuts to 50 ft-lbs using the sequence shown at right.

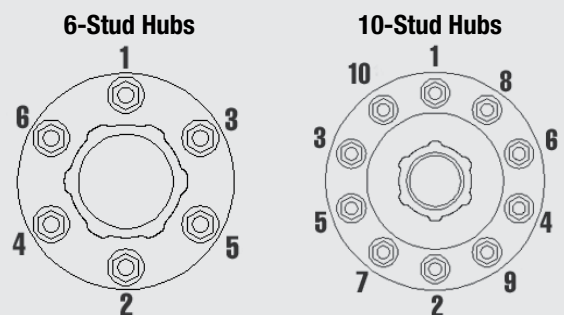
Step 2. Tighten all outer cap nuts to the recommended torque of 450 to 500 ft-lbs using the sequence shown at right.

Step 3. Check disc-wheels for proper positioning on pilots and proper seating against flange.

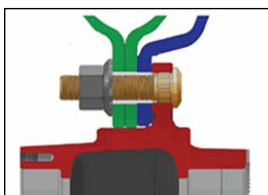
Recheck torque after first 50 to 100 miles of service or reference TMC RP 237A, "Torque Checking Guidelines For Disc Wheels" for individual fleet maintenance alternatives.

NOTE: In all applications where an aluminum disc wheel is to be installed, a special inner cap nut must be substituted for a standard inner cap nut.

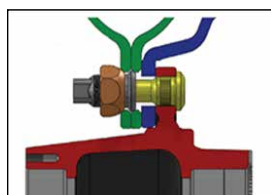
Tightening Sequence



Mount Identification



FN Mount (Flange Nut)



BSN Mount (Ball Seat Nut)



www.webbwheel.com

Contact your local Webb Wheel Products supplier for training that can cut your operating costs!

Scan this QR code to get certified on brake drum selection and wheel-end installation, and we'll send a token of our appreciation.



A Marmon Highway Technologies®/Berkshire Hathaway Company

©2016 Webb Wheel Products Inc.
Aug 2016 • SD-125B-R1