

No. 242

Date 11/26/90

Another addition to the expanding line of Webb products.

NEW PRODUCT BULLETIN

PART NUMBER: **54770**

ROTOR

SIZE: **15.00 × 1.43**

AVAILABLE
NOW

ESTIMATED WEIGHT: **41 Lbs.**

APPLICATION INFORMATION
SCHOOL BUS / LIGHT TRUCK

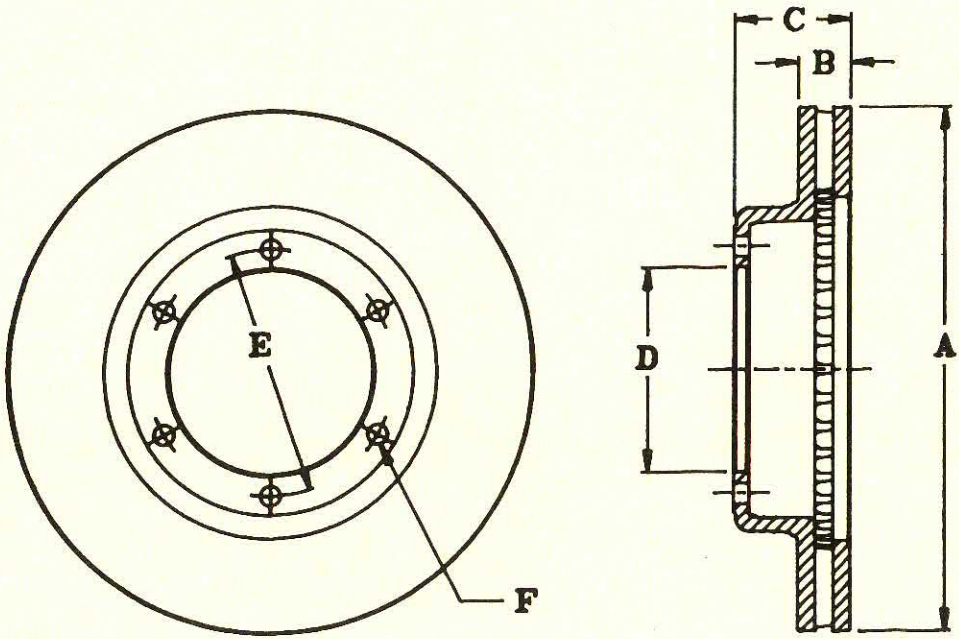
DIMENSIONAL INFORMATION

WEBB ROTOR	WEIGHT	ROTOR TYPE	A	B	C	D	E	F	
			DISC DIAMETER	DISC THICKNESS	OVERALL DEPTH	PILOT DIAMETER	BOLT CIRCLE DIAMETER	NUMBER	SIZE
54770	41	HAT	15.00	1.435	3.50	5.40	6.75	6	.76

<p>TYPE <u>HAT</u></p> <p>SEE REVERSE SIDE</p> <p>ROTOR CONFIGURATION</p>	<p>INTERCHANGE INFORMATION</p>	
	<p><u>MANUFACTURER</u></p> <p>NAVISTAR</p>	<p><u>PART NUMBER</u></p> <p>1646770C1</p>

INTERCHANGE INFORMATION SHOWN ABOVE IS BASED ON INFORMATION AVAILABLE AT TIME OF PUBLICATION, PORTIONS OF WHICH WERE OBTAINED FROM UNCONFIRMED SOURCES. THEREFORE ACCURACY OF INTERCHANGE INFORMATION CANNOT BE ASSURED.

WEBB WHEEL PRODUCTS, INC.
2310 Industrial Drive, S.W.
Cullman, Alabama 35055
(205) 739-6660
FAX: 205-739-6246



HAT TYPE