

No. 280

Date 1/9/97

*Another addition to the expanding line of Webb products.*

# NEW PRODUCT BULLETIN

**PART NUMBER: 66800**  
**SIZE: 16.50 X 8.00**  
**ESTIMATED WEIGHT: 126 Lbs.**  
**SERVICE RATING**  
 STANDARD DUTY \_\_\_\_\_  
 HEAVY DUTY \_\_\_\_\_  
 EXTRA HEAVY DUTY  X

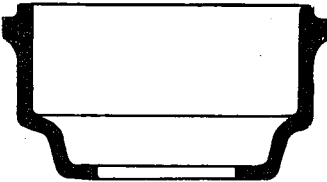
## BRAKE DRUM

AVAILABLE
<b>NOW</b>

APPLICATION INFORMATION
R - SERIES DRIVE AXLE TN - SERIES TRAILER AXLE TP - SERIES TRAILER AXLE  SEE REVERSE SIDE FOR SPECIAL INFORMATION.

## DIMENSIONAL INFORMATION

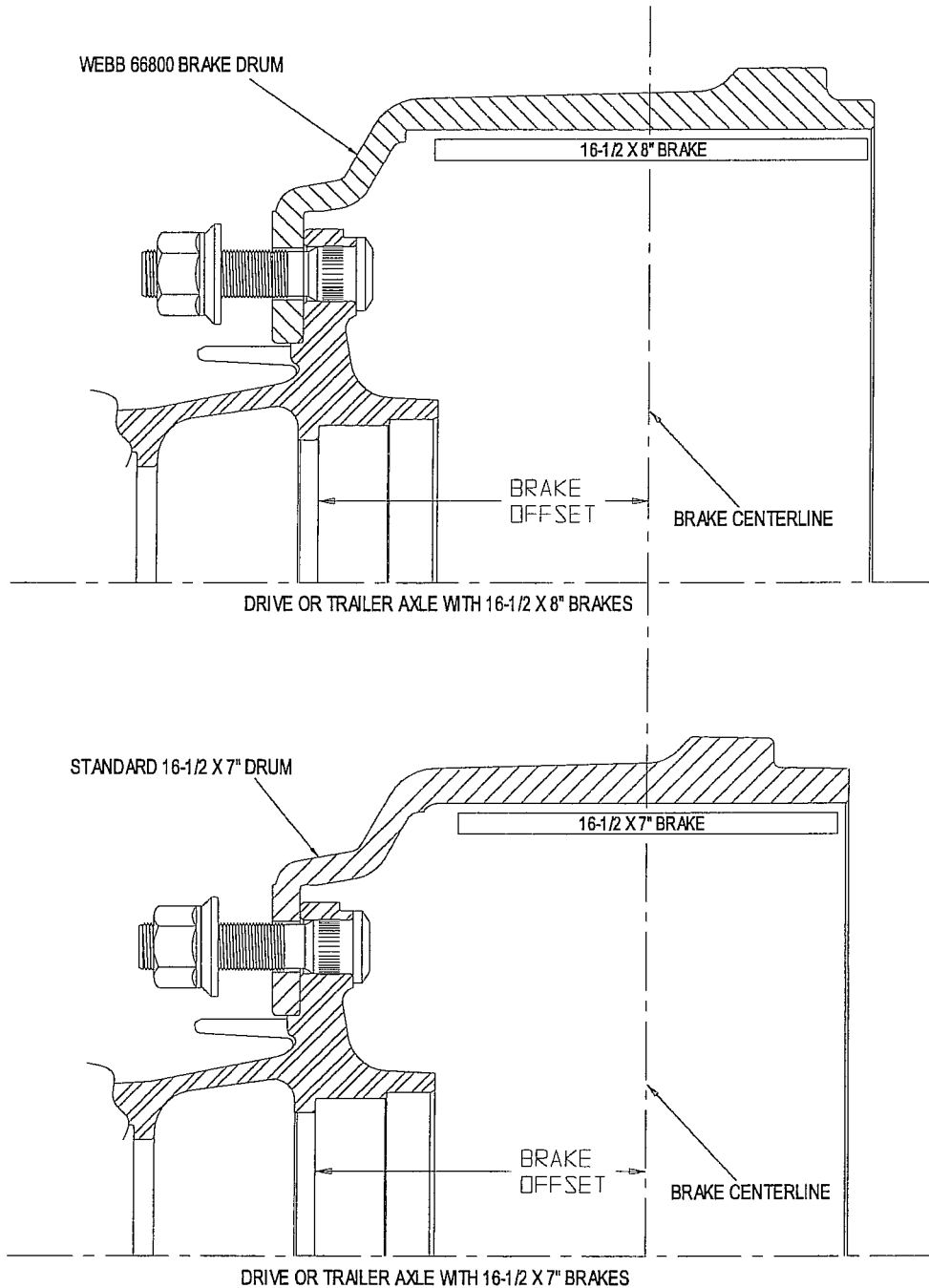
BRAKE SURFACE DIAMETER	OVER ALL DEPTH	BRAKE SURFACE FLAT	PILOT DIAMETER	BOLT CIRCLE	BOLT HOLES	
					NUMBER	SIZE
16.50	11.10	8.59	8.78	11.25	10	.94

TYPE <u> K </u>    <b>DRUM CONFIGURATION</b>	<b>INTERCHANGE INFORMATION</b> <u>MANUFACTURER</u> <u>PART NUMBER</u>
---	--

INTERCHANGE INFORMATION SHOWN ABOVE IS BASED ON INFORMATION AVAILABLE AT TIME OF PUBLICATION, PORTIONS OF WHICH WERE OBTAINED FROM UNCONFIRMED SOURCES. THEREFORE, ACCURACY OF INTERCHANGE INFORMATION CANNOT BE ASSURED.

**WEBB WHEEL PRODUCTS, INC.**  
 2310 Industrial Drive, S.W.  
 Cullman, Alabama 35055  
 (205) 739-6660  
 FAX: 205-739-6246

CONVERSION FROM 16-1/2 X 7" BRAKES  
TO 16-1/2 X 8" WIDE BRAKES USING  
WEBB 66800 BRAKE DRUM



The Webb **66800** brake drum allows end-users to upgrade existing 16-1/2 x 7" brake shoe applications to 16-1/2 x 8" wide brake shoes without hub or brake spider modifications. This applies to standard Webb 2000-series universal hubs on R-series drive axles, TN-series trailer axles and TP-series trailer axles.